



Shown: Betty with Acrylic - White Opal Shade

SPECIFICATIONS

- ENERGY STAR® qualified options
- L90, 100,000+ hours
- 20 year rated life time on all electronics
- ETL Damp listed
- 120-277V input
- Even Arc Technology: Proprietary LED module & board layout that provides even illumination
- 10 Year Limited Warranty (excludes shade)
- Title 24 Compliant
- ADA Compliant

LAMPING

- 2700K, 3000K, 3500K, 4000K CCT
- 20 year rated life time on all electronics
- 75W equivalent, 9.6W
- Module (without shade) 1300+ lumens

CONSTRUCTION

- Resin: ARCHITECTURAL RESIN by ALVA
- Acrylic: White Opal matte finish, 1200+ lumens delivered

APPLICATIONS

- Multi-Family residential / Condominiums
- Retail
- Corporate
- Healthcare
- Education
- Hospitality

SIZE

- 9"W x 11.75"H x 4"D

WEIGHT

- 4 lbs

MOUNTING

- J-Box 3.0 or 4.0 at center or end of fixture

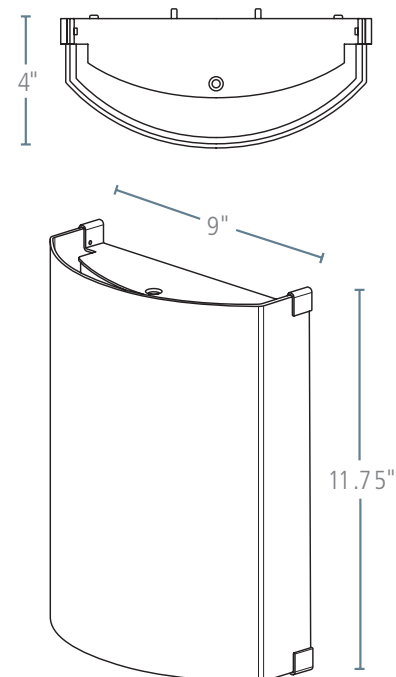
EMERGENCY BACK-UP OPTION

- Fulham FireHorse Hotspot LED Emergency Back-Up System
- Fully integrated battery back-up, all components enclosed within fixture

Two Dimming Methods Included

- LUMENSELECT™ 4-level light output dial (100%, 75%, 50%, 25%)
- 0-10V Dimming (100-10%)

RESIN & ACRYLIC SHADE



PRODUCT INNOVATORS
AWARD



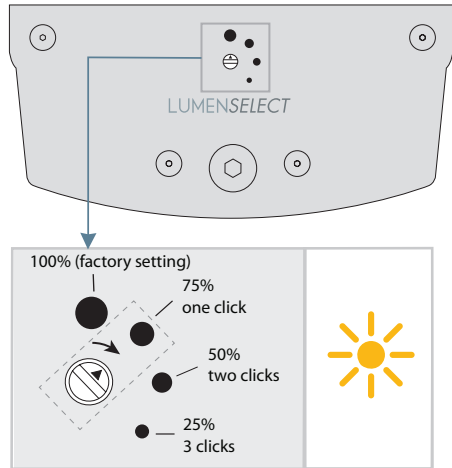
alva™

LED-BASED ARCHITECTURAL LIGHTING
918 PARKER STREET, SUITE A14, BERKELEY, CA 94710
P: 408.394.3054 WWW.ALVALIGHT.COM

LUMENSELECT™

LUMENSELECT™, a dimming control panel on all ALVA luminaires, allows you to customize light output to create the desired atmosphere and to limit the consumption of electricity.

LUMENSELECT™ control panel on the end cap of ALVA luminaires



The LUMENSELECT™ rotary switch should be turned gently clockwise with a small flathead screwdriver with a 1/8" or 3mm wide tip, one click at a time from factory setting to get desired output level.

SETTING LUMENSELECT™ LEVELS

ALVA luminaires come factory set at 100% light output. You may choose from four output settings, typically performed at the time of installation:

- 100% light output & energy consumption
- 75% light output & energy consumption
- 50% light output & energy consumption
- 25% light output & energy consumption

Wall Dimmer Option 0 -10V (100 -10%)



0-10V dimming may be used with compatible dimmer controls

Please refer to ALVALIGHT.COM for a listing of compatible dimmers

BETTY SHADE OPTIONS

ACRYLIC:



WO - White Opal
ENERGY STAR Qualified

RESIN:



IB - Island Breeze
ENERGY STAR Qualified



LC - Linear Cross



R - Rain
ENERGY STAR Qualified



GS - Gold Shimmer



B - Burano
ENERGY STAR Qualified



C - Chiffon

METAL TRIM OPTIONS



EOB - Enviro Oil-Rubbed Bronze (Powder Coat)



N - Brushed Nickel (Plated)

BETTY ORDER CODE

BETTY

MODEL

Betty

SHADE MATERIAL

R - Resin

SHADE PATTERN

B - Burano
GS - Gold Shimmer
IB - Island Breeze
C - Chiffon
R - Rain
LC - Linear Cross

METAL TRIM

N - Brushed Nickel (plated)
EOB - Enviro Oil-Rubbed Bronze (powder coat)

CCT

2700K,
3000K,
3500K,
4000K

OPTION

L - Acrylic Lens
Top/Bottom (set of 2)
EM - Emergency
Battery Back-Up

A - Acrylic

WO - White Opal