



Shown: Bob with Acrylic - White Opal Shade

APPLICATIONS

- Multi-Family Residential, condominiums
- Retail
- Corporate
- Healthcare
- Education
- Hospitality

SIZE

- 9"W x 11.75"H x 4"D

WEIGHT

- 4 lbs

MOUNTING

- J-Box 3.0 or 4.0 at center or end of fixture

EMERGENCY BACK-UP OPTION

- Fulham FireHorse Hotspot LED Emergency Back-Up System
- Fully integrated battery back-up, all components enclosed within fixture

Two Dimming Methods Included

- LUMENSELECT™ 4-level light output dial (100%, 75%, 50%, 25%)
- 0-10V Dimming (100-10%)

SPECIFICATIONS

- ENERGY STAR® qualified options
- L90, 100,000+ hours
- ETL Damp listed
- 120-277V input
- Even Arc Technology: Proprietary LED module & board layout that provides even illumination
- 10 Year Limited Warranty (excludes shade)
- Title 24 Compliant
- ADA Compliant

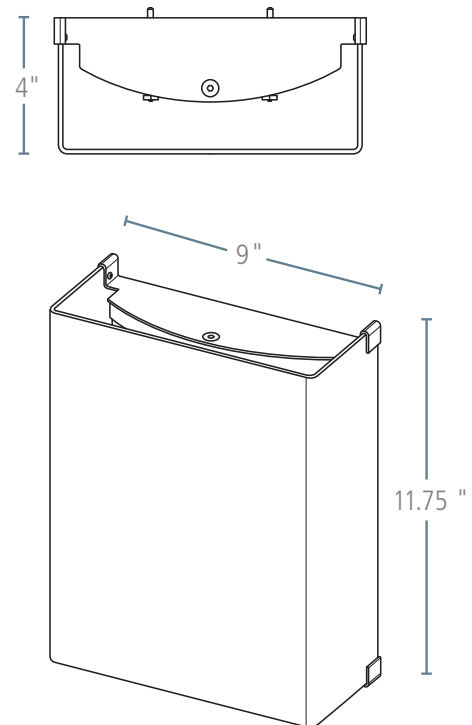
LAMPING

- 2700K, 3000K, 3500K, 4000K CCT
- C85 CRI typical (standard), 90 CRI optional
- 75W equivalent, 9.6W
- Module (without shade) 1200+ lumens

CONSTRUCTION

- Resin: ARCHITECTURAL RESIN by ALVA
- Acrylic: White Opal matte finish, 1150 lumens delivered

RESIN & ACRYLIC SHADE



PRODUCT INNOVATORS
AWARD



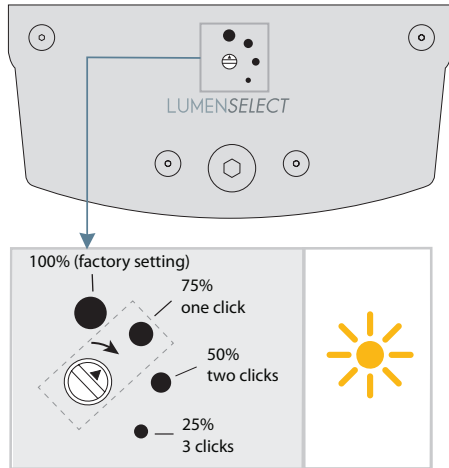
alva™

LED-BASED ARCHITECTURAL LIGHTING
918 PARKER STREET, SUITE A14, BERKELEY, CA 94710
P: 408.394.3054 WWW.ALVALIGHT.COM

LUMENSELECT™

LUMENSELECT™, a dimming control panel on all ALVA luminaires, allows you to customize light output to create the desired atmosphere and to limit the consumption of electricity.

LUMENSELECT™ control panel on the end cap of ALVA luminaires



The LUMENSELECT™ rotary switch should be turned gently clockwise with a small flathead screwdriver with a 1/8" or 3mm wide tip, one click at a time from factory setting to get desired output level.

SETTING LUMENSELECT™ LEVELS

ALVA luminaires come factory set at 100% light output. You may choose from four output settings, typically performed at the time of installation:

- 100% light output & energy consumption
- 75% light output & energy consumption
- 50% light output & energy consumption
- 25% light output & energy consumption

REMOTE DIMMING OPTION

0 - 10V (100 - 10%)



0-10V dimming may be used with compatible dimmer controls

Please refer to ALVALIGHT.COM for a listing of compatible dimmers

BOB SHADE OPTIONS

ACRYLIC:



WO - White Opal
ENERGY STAR Qualified

RESIN:



IB - Island Breeze
ENERGY STAR Qualified



LC - Linear Cross



R - Rain
ENERGY STAR Qualified



GS - Gold Shimmer



B - Burano
ENERGY STAR Qualified



C - Chiffon

METAL TRIM OPTIONS



EOB - Enviro Oil-Rubbed Bronze (Powder Coat)



N - Brushed Nickel (Plated)

BOB ORDER CODE

BOB	SHADE MATERIAL	SHADE PATTERN	METAL TRIM	CCT	OPTION
Bob	R - Resin A - Acrylic	B - Burano GS - Gold Shimmer IB - Island Breeze C - Chiffon R - Rain LC - Linear Cross WO - White Opal	N - Brushed Nickel (plated) EOB - Enviro Oil-Rubbed Bronze (powder coat)	2700K, 3000K, 3500K, 4000K	L - Acrylic Lens Top/Bottom (set of 2) EM - Emergency Battery Back-Up